

PRO PATCHING - PURE STYLE



- ✎ **Two rows of 48 Bantam Jacks in 1U of rack space**
- ✎ **Enclosed Jack design keeps out dust and dirt**
- ✎ **Solid palladium cross-point switch contacts**
- ✎ **Direct solder or 25 way D-sub rear termination**
- ✎ **Half and full normalising available on all channels**
- ✎ **Suitable for balanced/unbalanced and stereo signals**
- ✎ **Lacing Bar Kit available for extra rear cable support**
- ✎ **Neat slide-in strips for socket designation**
- ✎ **Suitable for insert points without special leads**
- ✎ **PCB parallel wiring points for every Jack**

ISOPATCH BANTAM

PRO SERIES

The Isopatch Bantam was introduced in 1991 as an alternative to the standard long-frame patch panel. Although designed primarily for the semi-pro audio market, the Isopatch Bantam was found to be extremely reliable and became popular in more demanding applications including sound reinforcement and broadcast. Installation contractors love the Isopatch Bantam because the normalising is so easy to program and the rear 25 pin D-sub connectors mean that they can use pre-made cables and just plug in on-site saving hours of tedious wiring.

Over the past ten years, the Isopatch Bantam has gained a firm reputation for reliability value and we now introduce the Isopatch Bantam PRO Series. We couldn't find a way to improve on the design of the PCB assembly, but we have given the PRO Series a striking new metallic-blue front panel. The PRO Series adds beauty to the well-established Isopatch attributes of excellent value and proven reliability.

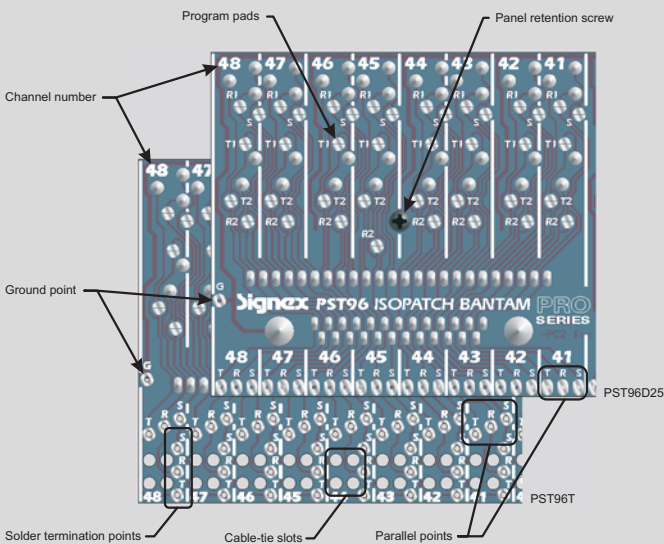


Compatible with most types of audio signal

Signal Type	Tip	Ring	Sleeve	Bantam Jack
Mono (Unbalanced)	Signal		Ground	
Mono (Balanced)	+ (Hot)	- (Cold)	Ground	
Stereo (Unbalanced) *	Left	Right	Ground	
Digital (SPDIF)	Signal		Ground	
Digital (AES/EBU)	+ (Hot)	- (Cold)	Ground	

* Left and right channel wiring may be reversed. Stereo signals are normally wired to separate Jacks for greater flexibility.

Isopatch Bantam PRO Series top PCB



Specifications

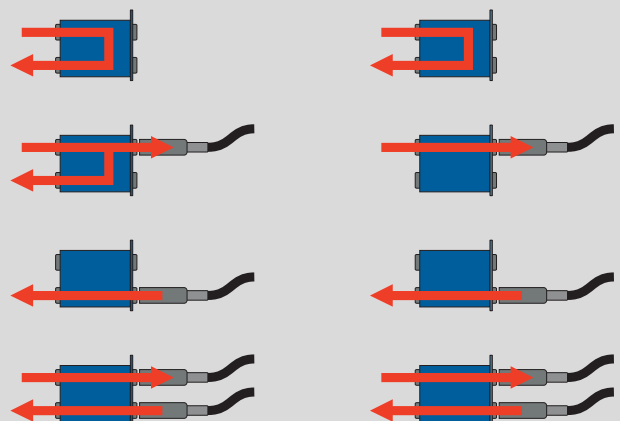
Front sockets	4.4mm Bantam Jack sockets
Rear termination	PST96D25P Rear 25 way D-sub female PST96TP Direct solder terminations
Normalising	Half and Full normalising programmable on every channel
Front socket contacts	Silver plated phosphor-bronze with solid palladium cross point switch contacts
Switch contact resistance	<30mΩ
Switch contact life	>10,000 operations
Dimensions (mm)	PST96D25P 483(W) x 45(H) x 71(D) PST96TP 483(W) x 45(H) x 69(D) Min. rack opening required: 442
Net weight	PST96D25P 1085g PST96TP 930g

Easy normalising on every channel

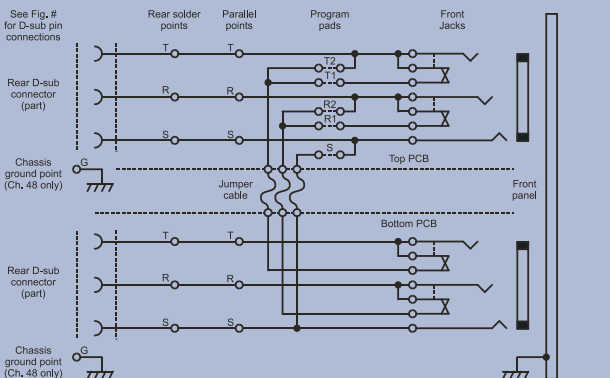


Half normal

Full normal



Isopatch Bantam PRO Series circuit diagram (one channel only)



Manufactured and distributed in the UK by:



21A Hankinson Road, Bournemouth, BH9 1HJ Tel: 01202 247000 Fax: 01202 247001